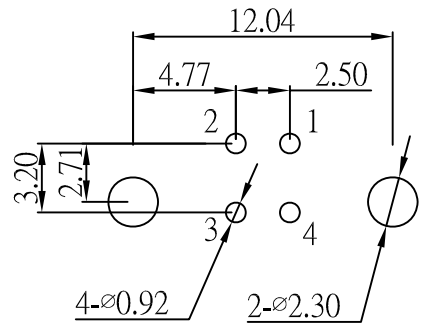
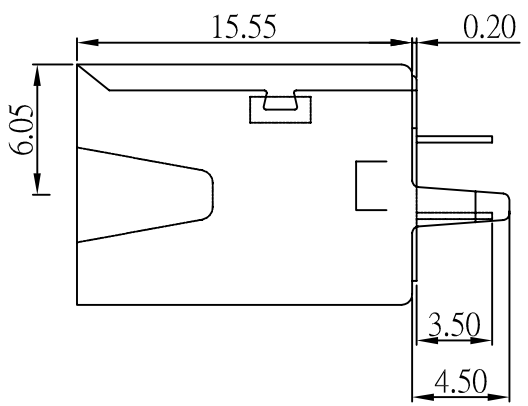
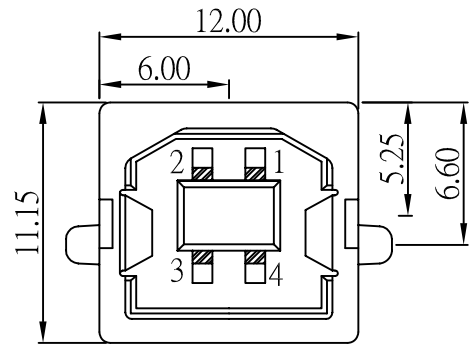


Rev	Revisions	Rev.Drawn	Date
A			13.12.07



PCB LAYOUT  
(COMPONENT SIDE)

- 1.Material:  
Insulation:PBT+30%G.F Or Ny6T UL 94V-0  
Contact:Bronze  
Shell:BRASS
- 2.Mechanical:  
Mating:35N max.  
Withdrawal Force:10N min  
Durability:150 cycles min.
- 3.Electrical:  
Current-max[amps]:1.0A  
Voltage-max[volts]:30V  
Withstanding Voltage:100V AC  
Contact Resistance [ohms]:50mΩ max.  
Insulation Resistance [ohms]:1000MΩ min.
- 4.Plating:  
Contacts:Gold Flash And Tin Over Nickel Plated.  
Shell:Nickel(Tin) Over all Plating
- 5.Environmental:  
Temperature Range:-55°C to +85°C

**SST SOUTH SEA TERMINAL CO.,LTD**

SGS Report No.:	Customer:	Part No.:USB-001-BV
Title:USB B type receptacle sing DIP 180 degree		
Drawn By:Storm.Li	SCALE 2.5:1	SHEET 1/1
Checked By:Simmon	REV. A	DWG NO.: SST071214-03
Approved By: Tony	Thire angle Projection General Dimesion Tolerance	Units mm
		TOLERANCE: ANGLES ±