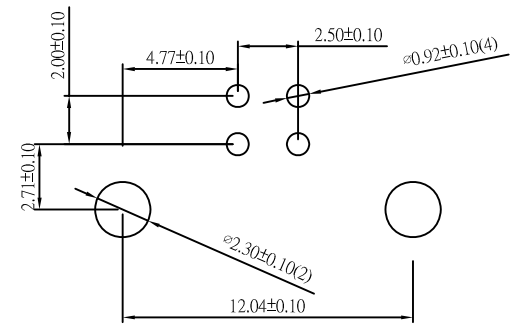
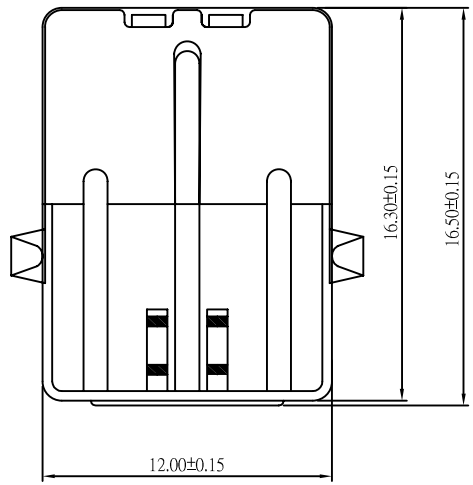
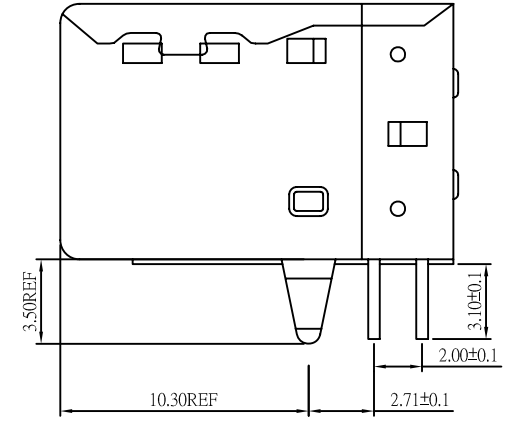
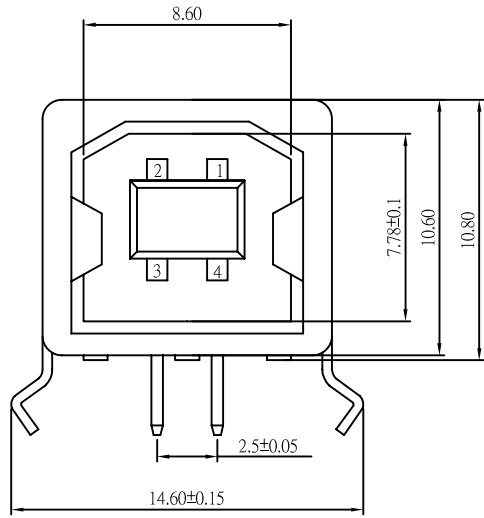


Rev	Revisions	Rev.Drawn	Date
A			13.12.07



RECOMMENDED P.C.B. PATTERN LAYOUT

- 1.Material:
Insulation:PBT+30%G.F Or Ny6T UL 94V-0
Contact:Bronze
Shell:BRASS
- 2.Mechanical:
Mating:35N max.
Withdrawal Force:10N min
Durability:150 cycles min.
- 3.Electrical:
Current-max[amps]:1.0A
Voltage-max[volts]:30V
Withstanding Voltage:100V AC
Contact Resistance [ohms]:50mΩ max.
Insulation Resistance [ohms]:1000MΩ min.
- 4.Plating:
Contacts:Gold Flash And Tin Over Nickel Plated.
Shell:Nickel(Tin) Over all Plating
- 5.Environmental:
Temperature Range:-55°C to +85°C

SST SOUTH SEA TERMINAL CO.,LTD

SGS Report No.:	Customer:	Part No.:USB-001-BR
Title: USB B type DIP female 90 degree		
Drawn By:Storm.Li	SCALE 2.5:1	SHEET 1/1
Checked By:Simmon	REV. A	DWG NO.: SST071214-02
Approved By: Tony	Thire angle Projection	General Dimension Tolerance
	Units mm	TOLERANCE: ANGLES ±