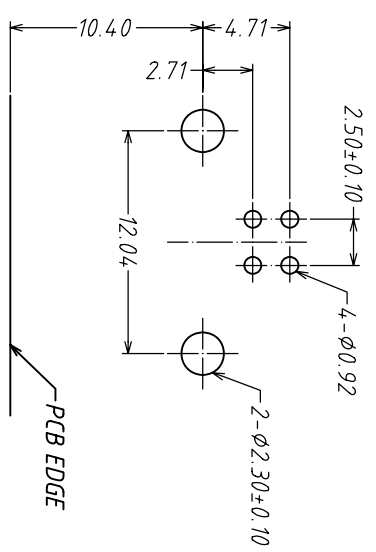
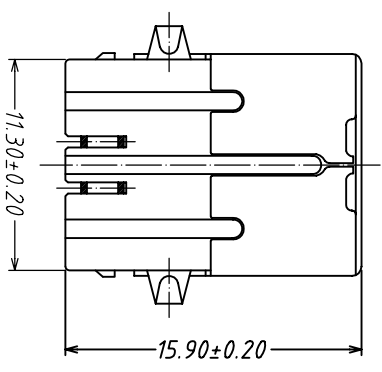
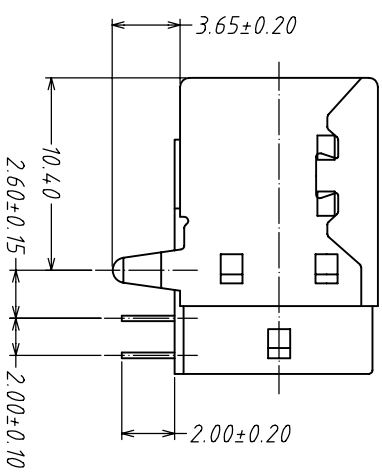
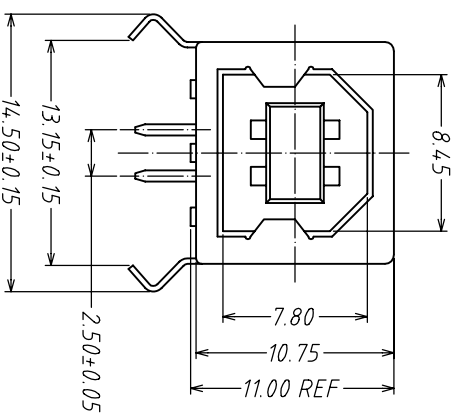


REVISION		DATE
REV	DESCRIPTION	



RECOMMENDED P.C.B. PATTERN LAYOUT

Electrical:
Voltage-max [volts]: 30V
Current-max [amps]: 1.0A
Contact Resistance [ohms]: 30mΩ max.
Dielectric Withstanding Voltage: 750V AC
Insulation Resistance [ohms]: 1000MΩ min.

Mechanical:
Mating: 35N max.
Withdrawal Force: 10N min.
Dural ifity: 1500 cycles min.

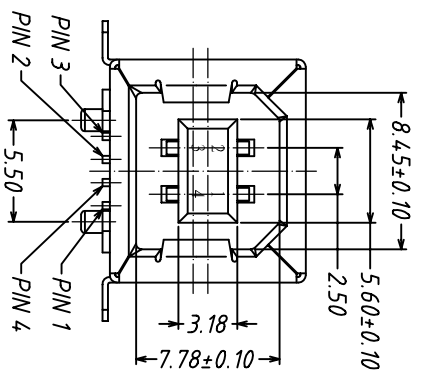
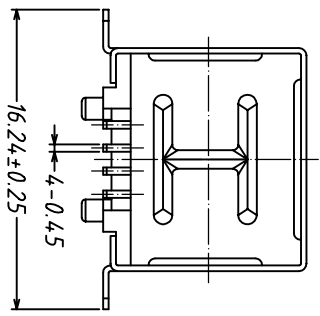
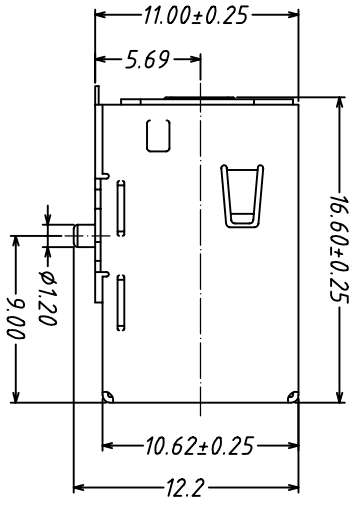
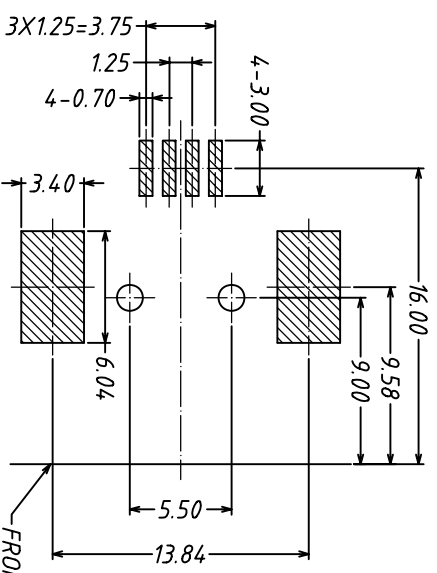
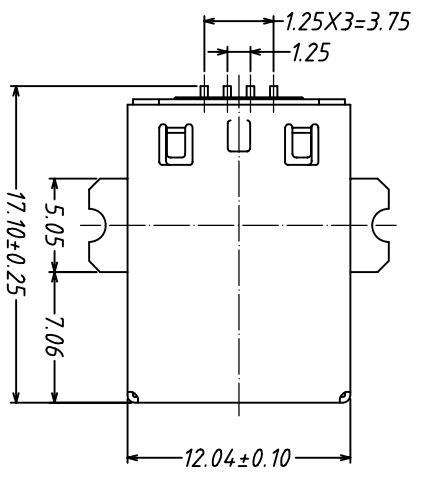
Physical:
Insulator: PBT+30%glass fiber-filled UL 94V-0
Contact: Phosphor Bronze
Metal Shell: Spcc
Plating: Gold Flash/Gold 30um
Temperature Range: 0 to +40°C

DRAWN BY:	Storm.li	Customer:		THIRD ANGLE PROJECTION		UNITS:	mm
CHECKED BY:	Simmon Zhang	Title:	USB B TYPE 4PIN FEMALE DIP R/A	GENERAL DIMENSION TOLERANCE			
APPROVED BY:	Tony Chou	P/NO:	USB-001-B	SOUTH SEA TERMINAL CO.,LTD			

REVISION	
REV	DESCRIPTION
	DATE

Specification

Housing: Thermoplastic; UL 94V-0
 Temperature Range: -20° C to +85° C
 Contact: Copper Alloy
 Shell: Copper Alloy
 Voltage Current Rating: 1 AMP 30V AC
 Insulation Resistance: 1000M Ω Min
 Contact Resistance: 30M Ω Max
 Dielectric Withstanding Voltage: 500V AC



GENERAL DIMENSION
TOLERANCE

DRAWN BY: Storm.li
Customer:

CHECKED BY: Simmon Zhang
Title:

APPROVED BY: Tony Chou
P/NO:

THIRD ANGLE PROJECTION

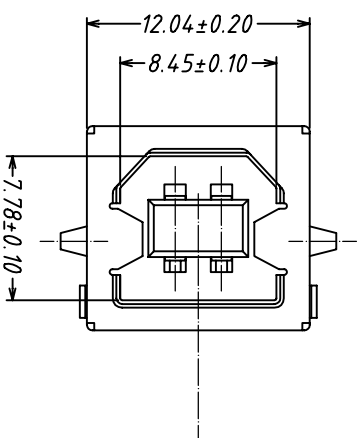
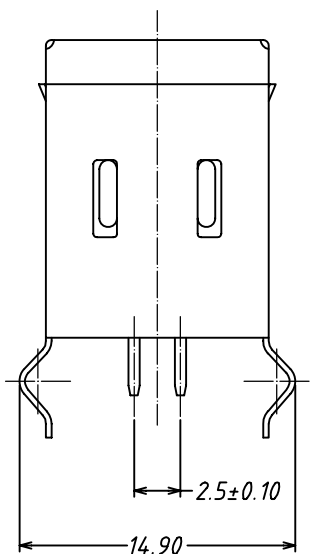
UNITS: mm

USB B TYPE
4PIN FEMALE SMT 有後蓋

USB-001H-B

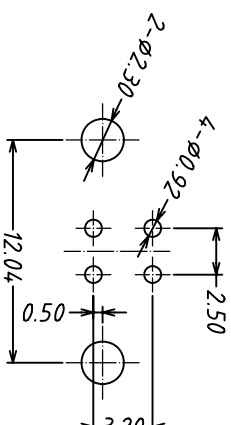
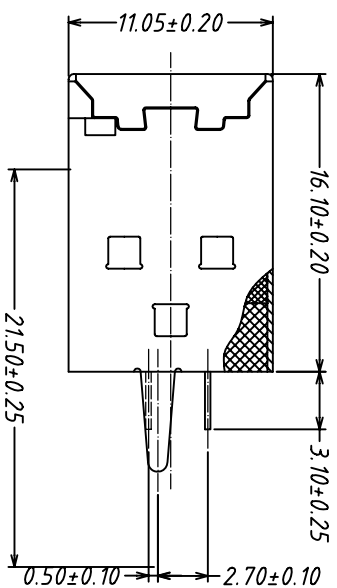
SOUTH SEA TERMINAL CO.,LTD

REVISION		DATE
REV	DESCRIPTION	



Specification

Housing: Thermoplastic, UL 94V-0
 Temperature Range: -20°C to +85°C
 Contact: Copper Alloy
 Shell: Copper Alloy
 Voltage Current Rating: 1 AMP 30V AC
 Insulation Resistance: 1000MΩ Min
 Contact Resistance: 30MΩ Max
 Dielectric Withstanding Voltage: 500V AC



GENERAL DIMENSION
TOLERANCE

DRAWN BY:	Storm.li	Customer:	
------------------	----------	------------------	--

THIRD ANGLE PROJECTION		UNITS:	mm
-------------------------------	--	---------------	-----------

CHECKED BY:	Simmon Zhang	Title:	USB B TYPE 4PIN FEMALE DIP 180°
--------------------	--------------	---------------	------------------------------------

APPROVED BY:	Tony Chou	P/NO:	USB-001K-B
---------------------	-----------	--------------	------------

SOUTH SEA TERMINAL CO.,LTD