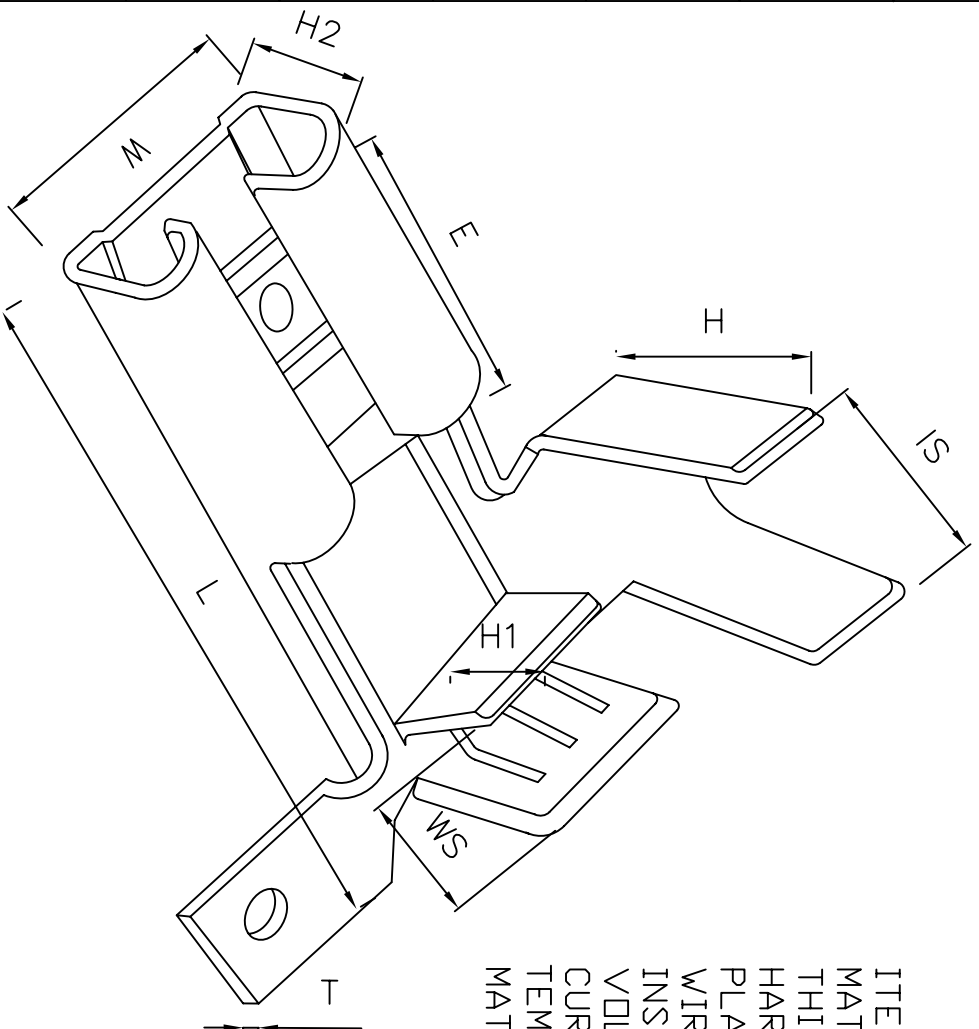


# DRAWING OF FINISHED PRODUCTS



ITEM NO: S2362T-2  
 MATERIAL: BRASS  
 THICKNESS: 0.4  
 HARDNESS: SH  
 PLATING: TIN 40u' MIN  
 WIRE RANGE: (AWG) 14-20  
 INSULATION D.D.: 3.8MAX.  
 VDL TAGE RATING: AC/250V, DC/350V  
 CURRENT RATING: AC, DC, 15A  
 TEMPERATURE RANGE: -25°C TO +85°C  
 MATE: 0.8 THICKNESS PIN

DIMENSION: (MM)  
 T: 0.4±0.03  
 L: 16.1±0.35  
 E: 7.7±0.25  
 W: 7.6±0.15  
 IS: 5.1±0.25  
 WS: 3.2±0.25  
 H: 4.7±0.25  
 H1: 3.2±0.25  
 H2: 3.2±0.15

|                 |                    |                    |                            |                             |           |    |        |   |    |    |    |    |    |
|-----------------|--------------------|--------------------|----------------------------|-----------------------------|-----------|----|--------|---|----|----|----|----|----|
| 1               | 2                  | 3                  | 4                          | 5                           | 6         | 7  | 8      | 9 | 10 | 11 | 12 | 13 | 14 |
| Rev             | Description/Date   | Drawn By: Storm.li | Customer:                  | Third angle projection      |           |    |        |   |    |    |    |    |    |
| △               | Sample/Aug.31.2006 | Checked By: Simmon | Part No.: S2362T-2         | General Dimension Tolerance | Units: mm | X± | X±0.40 |   |    |    |    |    |    |
| △               |                    | Approved By: Tony  | Title: 250 Flag Terminal-A |                             |           |    |        |   |    |    |    |    |    |
| SGS Report No.: |                    |                    |                            |                             |           |    |        |   |    |    |    |    |    |

**SOUTH SEA TERMINAL CO., LTD**