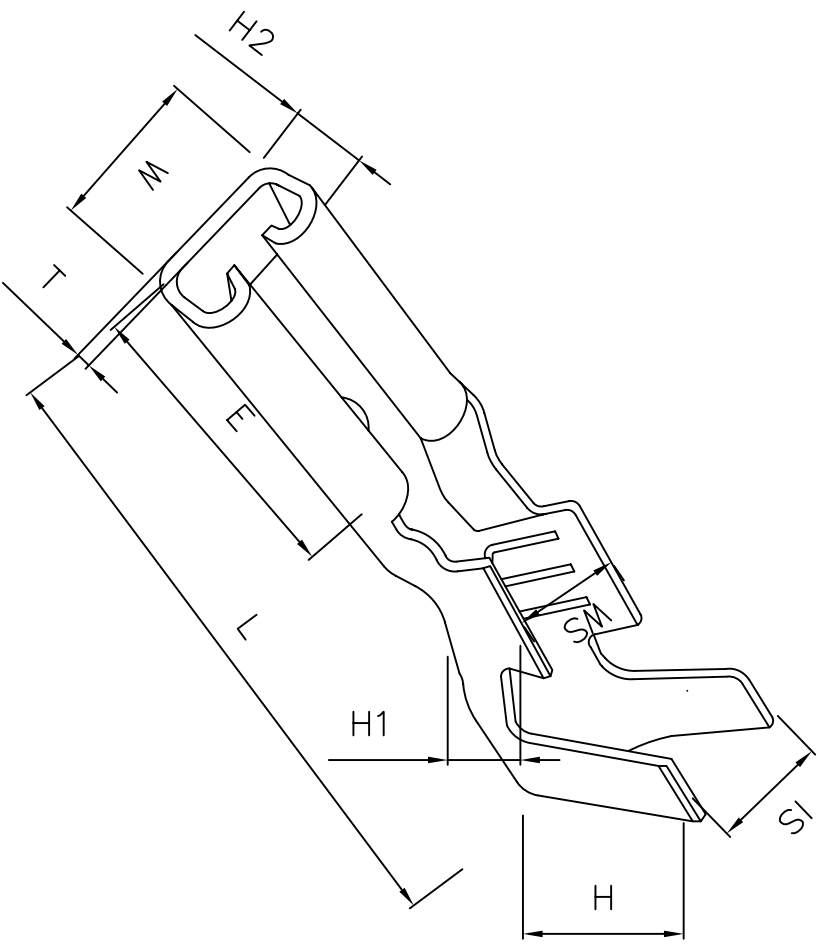


DRAWING OF FINISHED PRODUCTS



ITEM NO: S1732T-2
 MATERIAL: BRASS
 THICKNESS: 0.25
 HARDNESS: SH
 PLATING: TIN 40u' MIN
 WIRE RANGE: (AWG) 16-22
 INSULATION O.D.: 2.3 MAX.
 VOL. TAGE RATING: AC, DC, 250V
 CURRENT RATING: AC, DC, 10A
 TEMPERATURE RANGE: -25°C TO +85°C
 MATE: 0.5 THICKNESS PIN

DIMENSION: (MM)
 T: 0.25±0.03
 L: 15.6±0.35
 E: 6.4±0.25
 W: 3.8±0.2
 S: 3.75±0.3
 I: 2.4±0.3
 W: 2.4±0.3
 H: 4.0±0.25
 H1: 2.8±0.25
 H2: 1.85±0.15

1	2	3	4	5	6	7	8	9	10	11	12	13	14
Rev	Description/Date	Drawn By: Storm.li	Customer:	Third angle projection		Units: mm		X±					
△	Sample/Aug.31.2006	Checked By: Simmon	Part No.: S1732T-2	General Dimension Tolerance		mm		.XX±0.30					
△	SGS Report No.:	Approved By: Tony	Title: 110 Tab-on Type	General Dimension Tolerance		mm		.XXX±					

SOUTH SEA TERMINAL CO., LTD