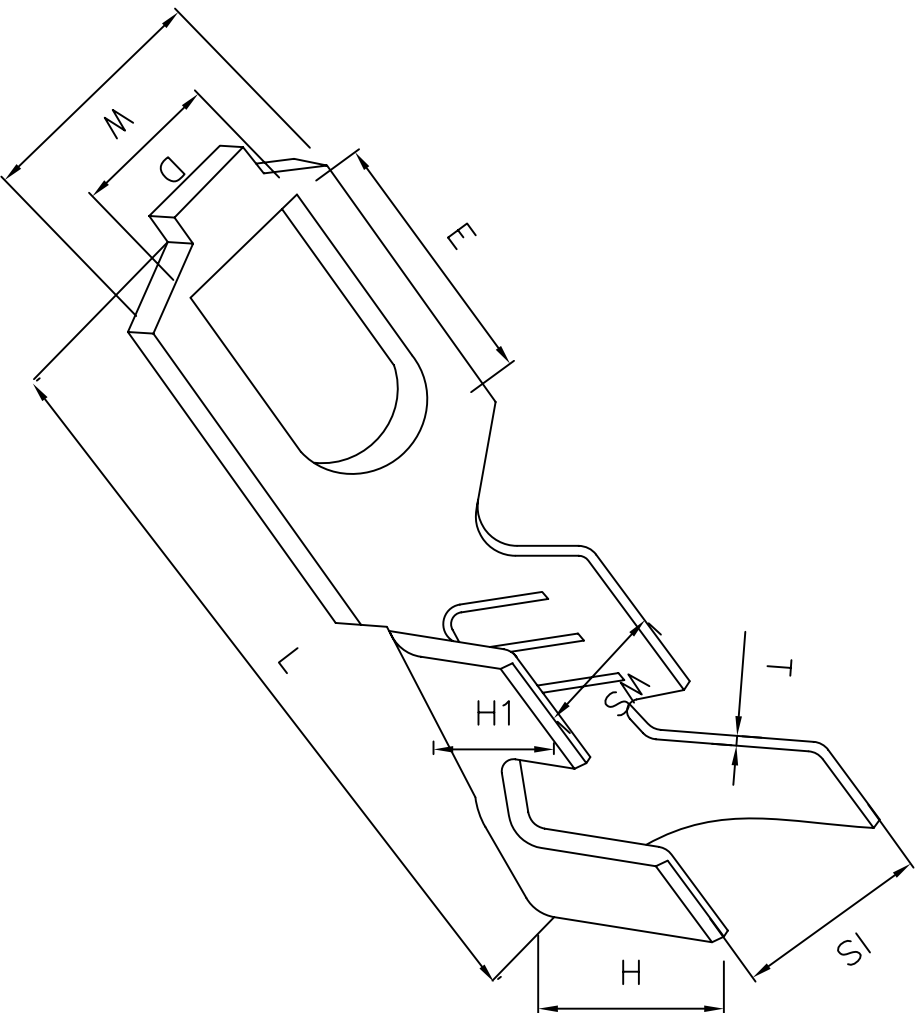


# DRAWING OF FINISHED PRODUCTS



ITEM NO.:S15351T-2  
 MATERIAL:BRASS  
 THICKNESS:0.5  
 HARDNESS:H/2  
 PLATING:TIN 40u' MIN  
 WIRE RANGE:(AWG)16-22  
 INSULATION O.D.:3.0 MAX.  
 VOLTAGE RATING:AC,DC,250V  
 CURRENT RATING:AC,DC,10A  
 TEMPERATURE RANGE:-25°C TD +85°C TD

DIMENSION:(MM)  
 T:0.5±0.03  
 L:19.0±0.35  
 E:6.6±0.25  
 D:3.7±0.15  
 W:6.3±0.2  
 IS:5.0±0.3  
 WS:3.5±0.3  
 H:4.4±0.25  
 H1:3.3±0.25

Rev	Description/Date	Drawn By: Storm.li	Customer:	
△	Sample/Aug.31.2006	Checked By:Simmon	Part No.:	S15351T-2
△		Approved By: Tony	Title:	Y Terminal-A Type
SGS Report No.:			<b>SOUTH SEA TERMINAL CO.,LTD</b>	

Third angle projection		Units:	X± .X±0.40 .XX±0.30 .XXX±
General Dimension Tolerance		mm	.XXX±