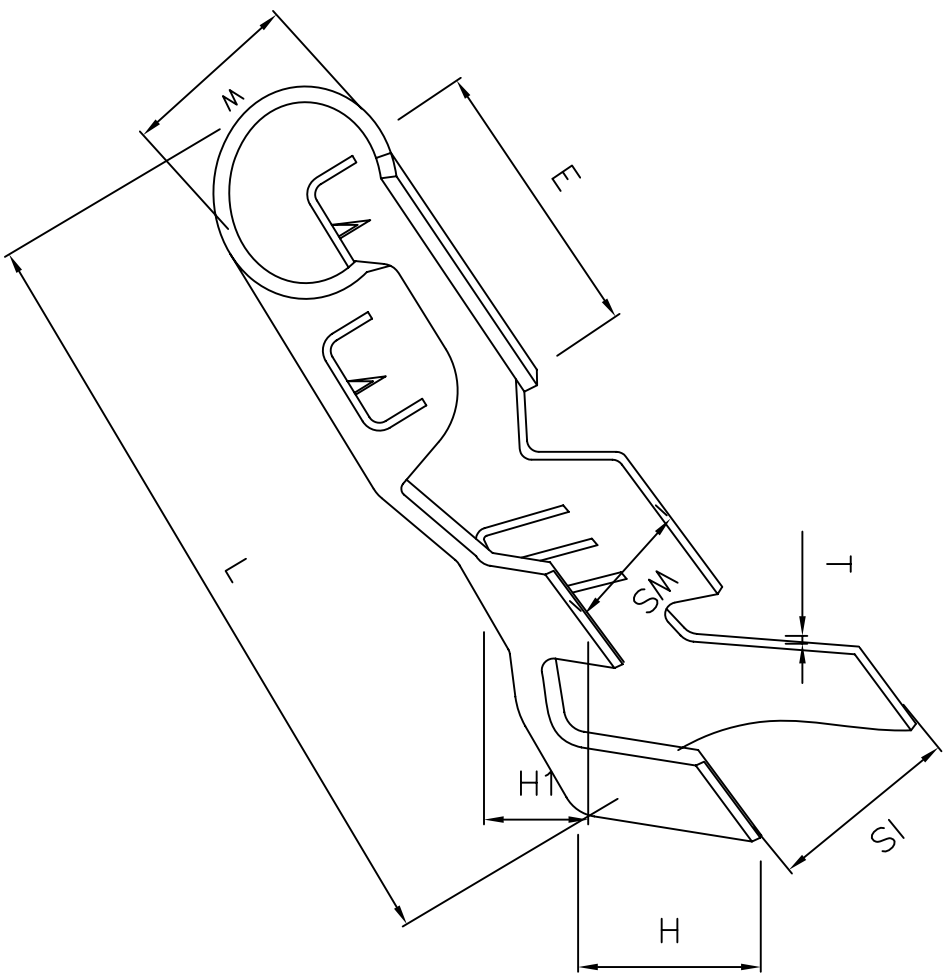


DRAWING OF FINISHED PRODUCTS



ITEM NO: S1151T-2
 MATERIAL: BRASS
 THICKNESS: 0.4
 HARDNESS: SH
 PLATING: TIN 40u' MIN
 WIRE RANGE: (AWG) 14-20
 INSULATION O.D.: 3.8 MAX.
 VOLTAGE RATING: AC/250V, DC/350V
 CURRENT RATING: AC, DC, 15A
 TEMPERATURE RANGE: -25 °C TO +85°C
 MATE: Ø3.96 ROUND PIN

DIMENSION: (MM)
 T: 0.4±0.03
 L: 17.5±0.35
 E: 6.5±0.25
 W: 4.7±0.2
 IS: 5.1±0.35
 WS: 3.1±0.35
 H: 5.0±0.25
 H1: 3.2±0.25

Rev	Description/Date	Drawn By: Storm.li	Customer:	
△	Sample/Aug.31.2006	Checked By: Simon	Part No.:	S1151T-2
△		Approved By: Tony	Title:	5.00 Dia Bullet Female
SGS Report No.:			Third angle projection	
			General Dimension Tolerance	
			Units:	mm
				X± .X±0.40 .XX±0.30 .XXX±

SOUTH SEA TERMINAL CO., LTD