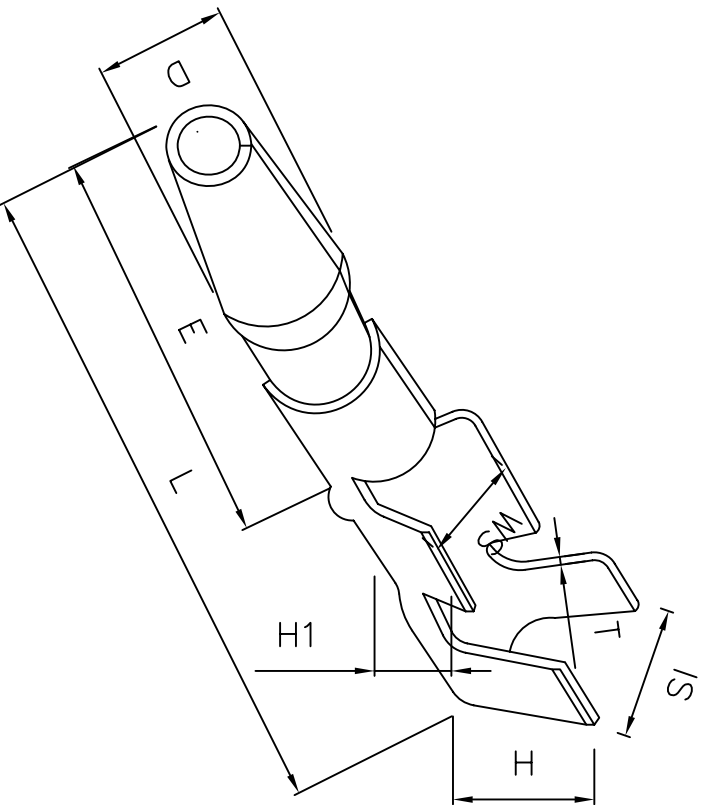


# DRAWING OF FINISHED PRODUCTS



ITEM NO: S1041T-2  
 MATERIAL: BRASS  
 THICKNESS: 0.4  
 HARDNESS: H/2  
 PLATING: TIN 40u' MIN  
 WIRE RANGE: (AWG) 14-20  
 INSULATION D.D.: 3.8 MAX.  
 VOL TAGE RATING: AC/250V, DC/350V  
 CURRENT RATING: AC, DC, 15A  
 TEMPERATURE RANGE: -25°C TD +85°C

DIMENSION: (MM)  
 T: 0.4±0.03  
 L: 16.0±0.35  
 E: 8.0±0.25  
 D: 3.5<sup>+0.1</sup><sub>-0</sub>  
 IS: 4.7±0.35  
 WS: 3.4±0.35  
 H: 5.0±0.25  
 H1: 3.2±0.25

Rev	Description/Date	Drawn By: Storm.li	Customer:	
△	Sample/Aug.31.2006	Checked By: Simmon	Part No.:	S1041T-2
△		Approved By: Tony	Title:	4.00 Dia Bullet Male
SGS Report No.:			Third angle projection	
			General Dimension Tolerance	Units: mm
				X± .X±0.40 .XX±0.30 .XXX±

**SOUTH SEA TERMINAL CO., LTD**