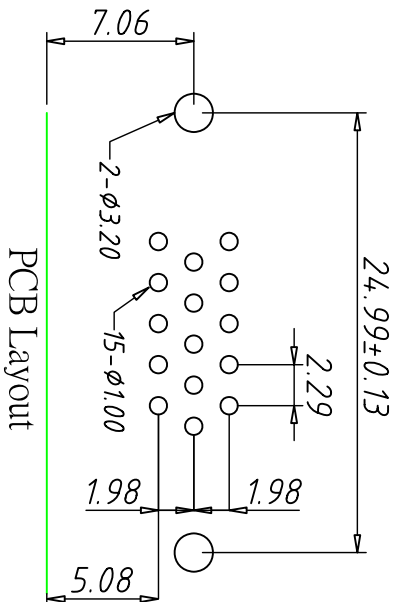
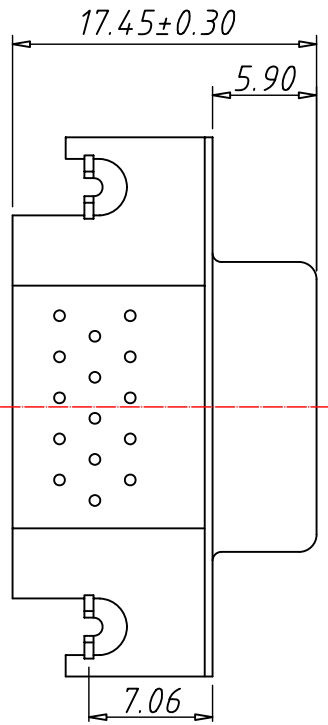
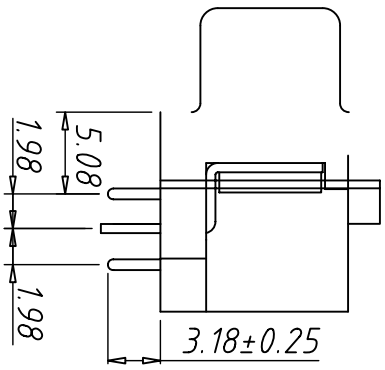
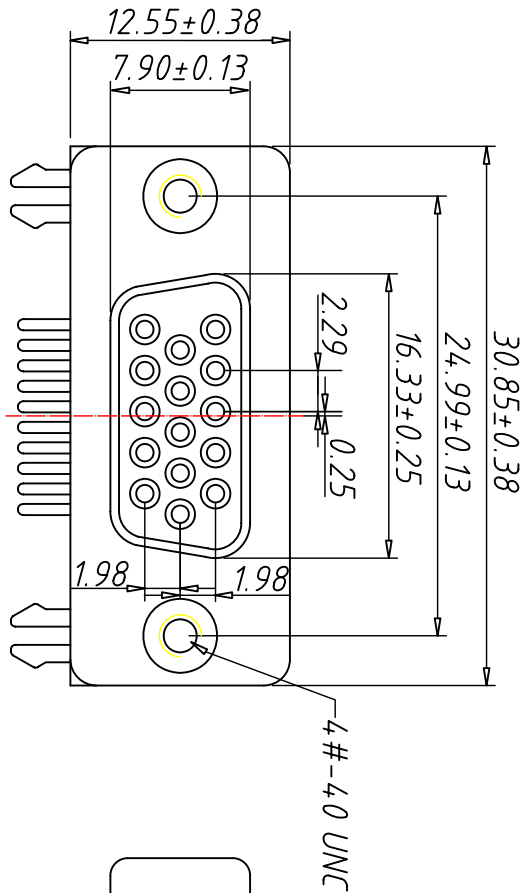


J I H G F E D C B A

1 2 3 4 5 6 7 8 9 10 11 12 13 14



PCB Layout

Rev	Revisions	Rev/Dwn	Date

**SPECIFICATIONS:**  
**ELECTRICAL SPECIFICATION**  
 Contact Current Rating: 3 Amperes  
 Dielectric Withstanding Voltage:  
 AC 1000/60ses.r.m.s.  
 Insulation Resistance:  
 5000 Megohms MINIMUM at DC 500V  
 Contact Resistance: 25 MilliOhms Maximum  
 Operating Temperature: -55°C to +105°C  
**MECHANICAL CHARACTERISTICS:**  
 Contact Insertion Force: 300gfMax  
 Contact Separation Force: 25gf Min  
**MATERIALS:**  
 Contacts: Brass  
 Insulator: PBT+30%(UL94V-0)  
 Shell: Steel

HDBR1	XXX	S	X	N	X	X
Type	No of contact	Femle	Thickness of gold plated	1 : Gold flash	2 : 3u"	5 : 15u"
Insulator color:	1 : Blue	2 : Black	3 : White	Matal shell:	4 : 10u"	7 : 30u"
	N : Nickel plated					

**SS7 SOUTH SEA TERMINAL CO.,LTD**

SGS Report No.:	Customer:	Part No.:
Drawn By: Storm.Li	Title: D-SUB DIP R/A HD 5.08mm Femle	HDBR1-15S-X-N-X-X
Checked By: Simmon	SCALE	SHEET
Approved By: Tony	1:1	1/1
	REV.	A
	DWG NO.:	SS-061127-03
	Units	.XX±
	Thire angle Projection	.XX±
	General Dimesion Tolerance	.XXX±
	mm	.XXX±