

NUMBER OF CONTACTS	A	B	C	D	E
15	±0.25	±0.13	±0.38	±0.25	±0.05
26	16.33	24.99	30.85	19.28	2.29
44	24.66	33.32	39.14	27.65	2.29
62	38.38	47.04	53.04	41.30	2.29
	54.84	63.50	69.32	57.44	2.41

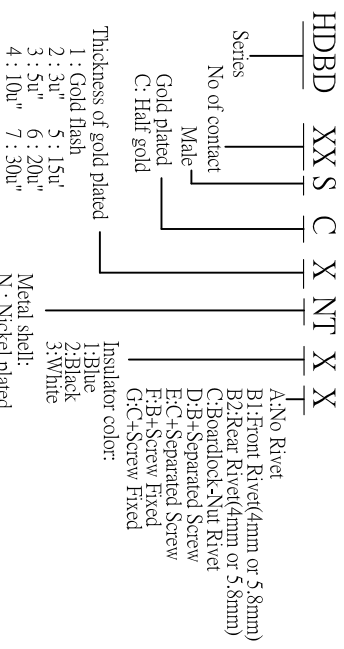
SPECIFICATIONS:

ELECTRICAL SPECIFICATION

- Contact Current Rating: 3 Amperes
- Dielectric Withstanding Voltage: AC 1000/60ses.r.m.s.
- Insulation Resistance: 5000 Megohms MINIMUM at DC 500V
- Contact Resistance: 25 MilliOhms Maximum
- Operating Temperature: -55°c ___ +105°c
- MECHANICAL CHARACTERISTICS:
- Contact Insertion Force: 300gfMax
- Contact Separation Force: 25gf Min

MATERIALS:

- Contacts: Brass
- Insulator: PBT+30%(UL94V-0)
- Shell: Steel



SST SOUTH SEA TERMINAL CO., LTD

SGS Report No.: Customer: Part No.:
 HDBD-XXS-C-X-NT-X-X

Title: D-SUB H/D Female Connector S/T Type

Drawn By: Storm.Li	SCALE	SHEET	REV.	DWG NO.:	X ±	X ±
Checked By: Simmon	1:1	1/1	A	SS-061123-02	X ±	0.25 X ±
Approved By: Tony	Thire angle Projection		General Dimension	Tolerance	Units	.XX ± .XXX ± mm .XXX ± 0.10 .XXX ±

Rev	Revisions	RevDrawn	Date