

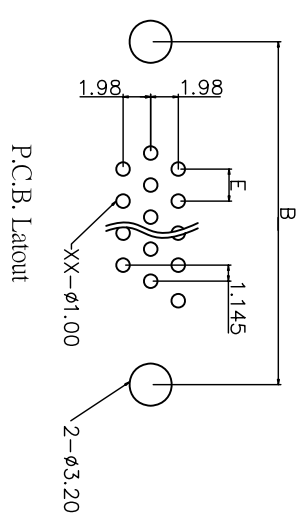
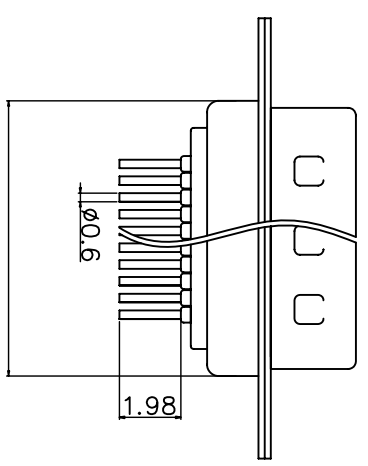
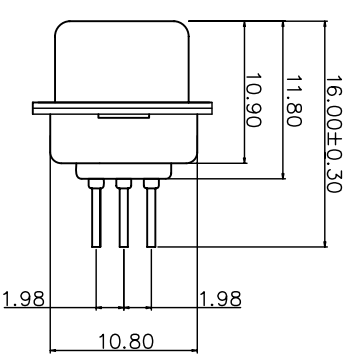
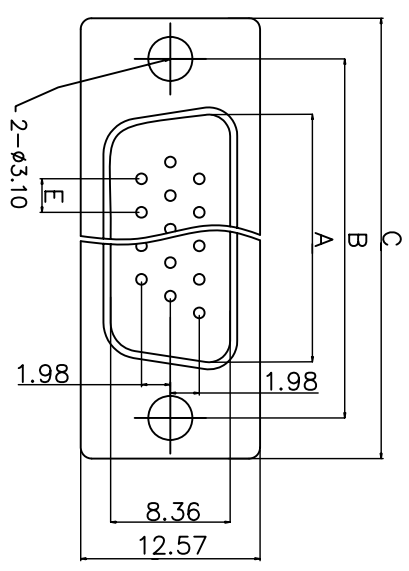
Rev	Revisions	RevDrawn	Date

SPECIFICATIONS:

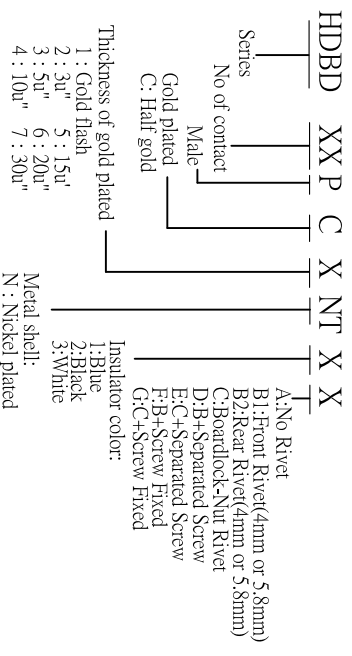
ELECTRICAL SPECIFICATION

- Contact Current Rating: 3 Amperes
- Dielectric Withstanding Voltage: AC 1000/60ses.r.m.s.
- Insulation Resistance: 5000 Megohms MINIMUM at DC 500V
- Contact Resistance: 25 MilliOhms Maximum
- Operating Temperature: -55°c _ +105°c
- MECHANICAL CHARACTERISTICS:
- Contact Insertion Force: 300gf/Max
- Contact Separation Force: 25gf/Min

MATERIALS:
 Contacts: Brass
 Insulator: PBT+30%(UL94V-0)
 Shell: Steel



NUMBER OF CONTACTS	A	B	C	D	E
15	±0.25	±0.13	±0.38	±0.25	±0.05
26	16.92	24.99	30.85	19.28	2.29
44	25.25	33.32	39.14	27.65	2.29
62	38.96	47.04	53.04	41.30	2.29
	54.84	63.50	69.32	57.44	2.41



SST SOUTH SEA TERMINAL CO., LTD

SGS Report No.:	Customer:	Part No.:
Drawn By: Storm.Li	D-SUB H/D Male Connector S/T Type	HDBD-XXP-C-X-NT-X-X
Checked By: Simmon	SCALE	REV.
Approved By: Tony	1:1	1/1
	DWG NO.:	SS-061123-01
	Units	.XX± 0.25
	Thire angle Projection	.XX± .XX±
	General Dimenion Tolerance	.XXX±0.10 .XXX±