

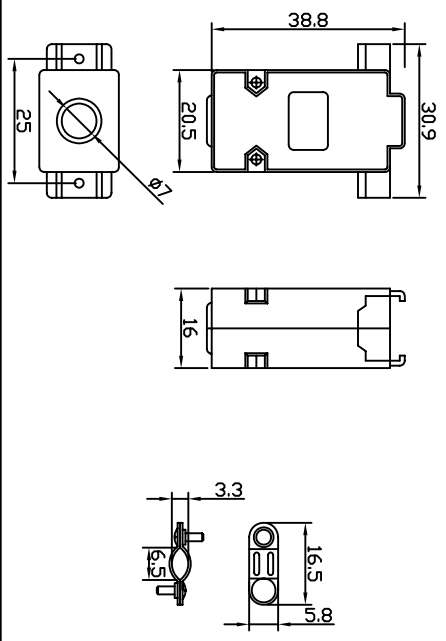
MATERIAL:ABS
DBH-1-X-X-X-X

Color
1:Black
2:Gray
3:Silver

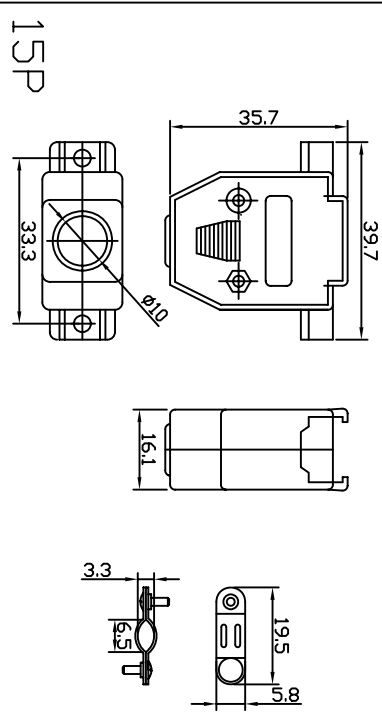
No. of Poles

S:Short Screw
L:Long Screw

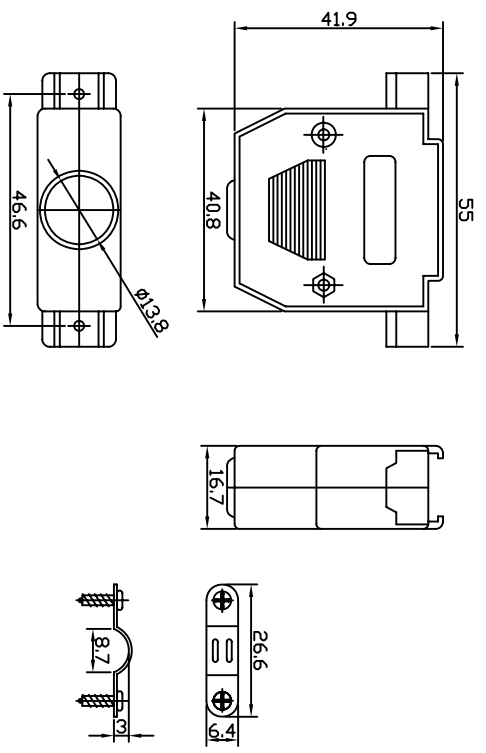
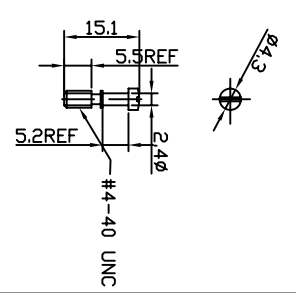
F:Fully set package
s:Separation package



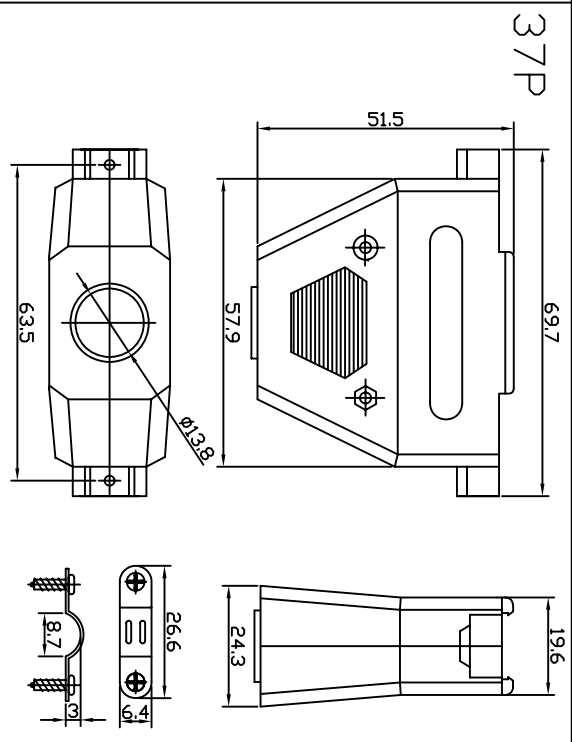
9P



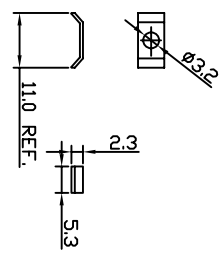
15P



25P



37P



| | | | | | |
|-----------------------------------|---------------------|--------------------|-----------------------------|---------------|--------------------|
| Rev | Description/Date | Drawn By: Storm.li | Customer: | Part No.: | Title: |
| △ | Sample/Oct.20.2006. | Checked By:Simmon | DBH-1-X-X-X-X | DBH-1-X-X-X-X | D-Sub Plastic Hood |
| △ | | Approved By: Tony | | | |
| SGS Report No.: | | | Third angle projection | | |
| | | | General Dimension Tolerance | | |
| | | | Units: mm | | |
| | | | X± | | |
| | | | .X±0.40 | | |
| | | | .XX±0.30 | | |
| | | | .XXX± | | |
| SOUTH SEA TERMINAL CO.,LTD | | | | | |