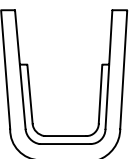
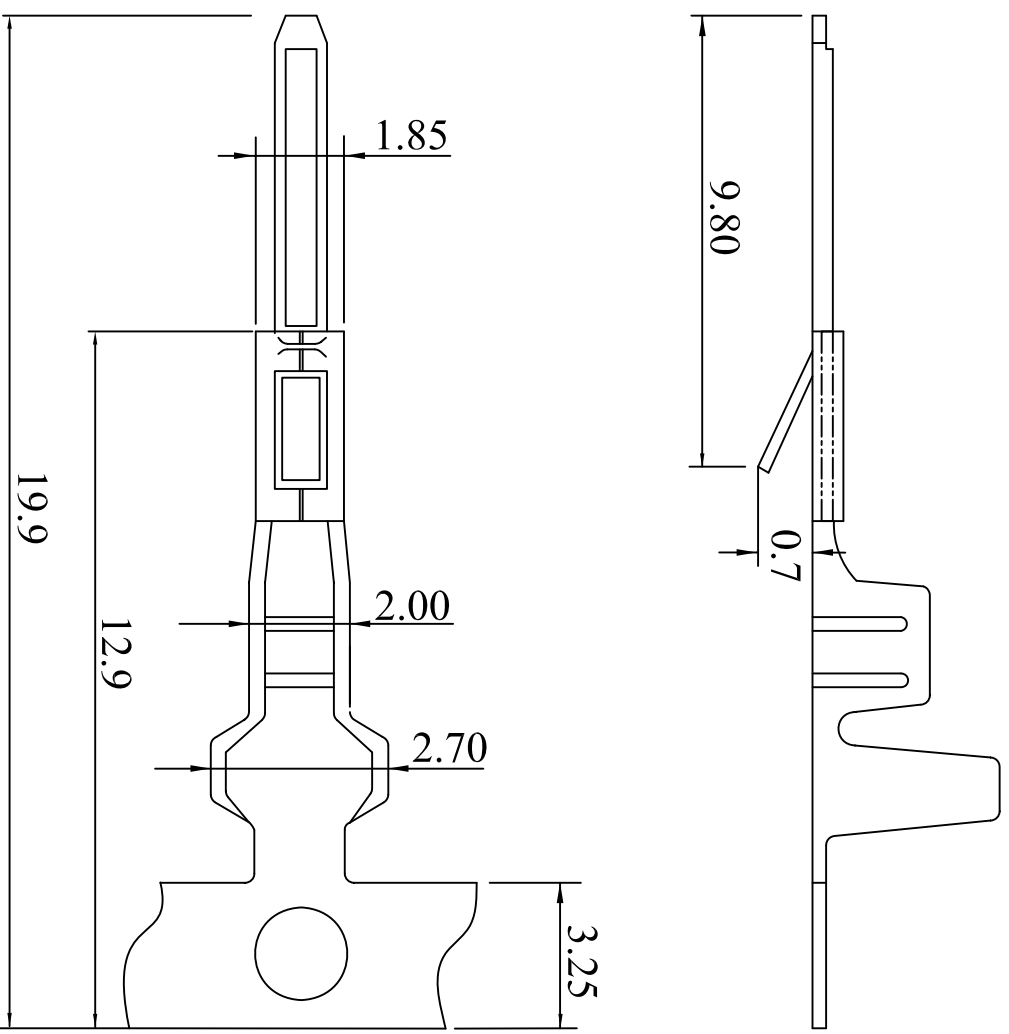


Rev	Revisions	Rev/Drawn	Date

Terminal:
 Part No.: WW250-MT
 Applicable Wire: AWG 22-28
 Material: Brass/Tin
 Finish: Tin/Plated Brass
 Hardness: H
 Thickness: 0.25mm
 Q'ty: 7,000 pcs/Reel



SST SOUTH SEA TERMINAL CO., LTD

SGS Report No.: Part No.: WW250-MT
 Customer: Customer:

Drawn By: Storm.Li	SCALE	SHEET	REV.	DWG NO.:	X.±	X.±
Checked By: Simmon	1:1	1/1	A	SS-061123-01	X±	0.25 X±
Approved By: Tony	Three angle Projection			Units	.XX±	.XX±
	General Dimension Tolerance			mm	.XXX±0.10	.XXX±

Title: 2.5mm(.098") pitch wire to board type

