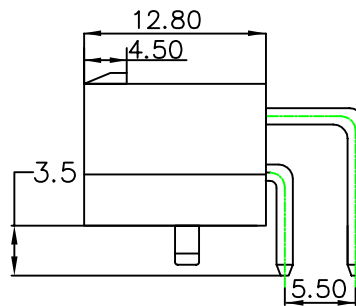
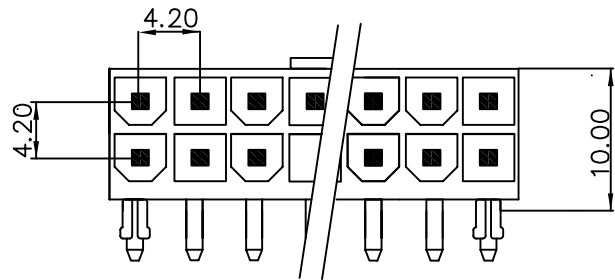
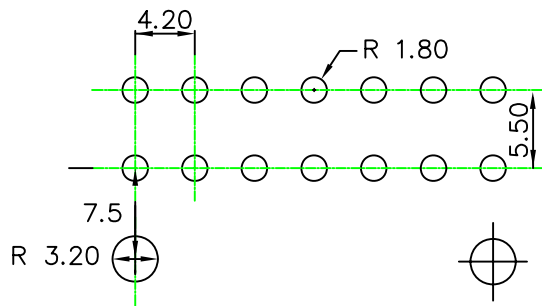
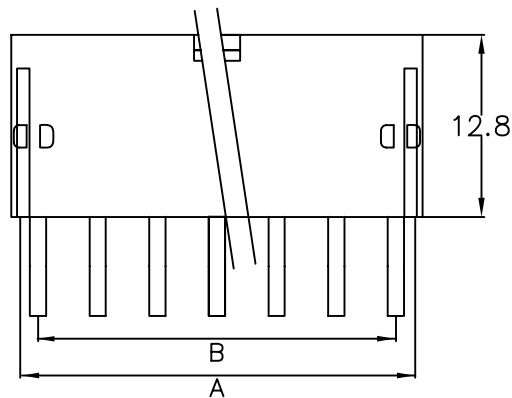


Rev	Revisions	Rev.Drawn	Date
A			12.11.08



Mate with: WW420-M Series housing  
 Current rating: 9A AC,DC Max  
 Voltage Rating: 600V ACDC  
 Contact resistance: 10mΩMax  
 Insulation resistance: 1000MΩMin  
 Withstanding voltage :1500V AC/Minute  
 Temperature range: -25\*TO+85\*



P.C.Board layout

Poles	Part No	Dimensions(mm)	
		A	B
2	WW420-R02P	5.40	
4	WW420-R04P	9.60	4.20
6	WW420-R06P	13.80	8.40
8	WW420-R08P	18.00	12.60
10	WW420-R10P	22.20	19.80
12	WW420-R12P	26.40	21.00
14	WW420-R14P	30.60	25.20
16	WW420-R16P	34.80	29.40
18	WW420-R18P	39.00	33.60
20	WW420-R20P	43.20	37.80
22	WW420-R22P	47.40	42.00
24	WW420-R24P	51.60	46.20

Current: (use with 16 AWG)

Circuits	2-3	4-6	7-10	12-24
A	9	8	7	6

**SST** SOUTH SEA TERMINAL CO.,LTD

SGS Report No.:	Customer:	Part No.: WW420-RXXP
Title: Mini-Fit Male Wafer		
Drawn By: Storm.Li	SCALE: 2:1	SHEET: 1/1
Checked By: May	REV: A	DWG NO.: SST081112-02
Approved By: Tony	Thire angle Projection	General Dimesion Tolerance
	Units: mm	TOLERANCE: ANGLES ±